

Brickpoint Properties

CASE STUDY

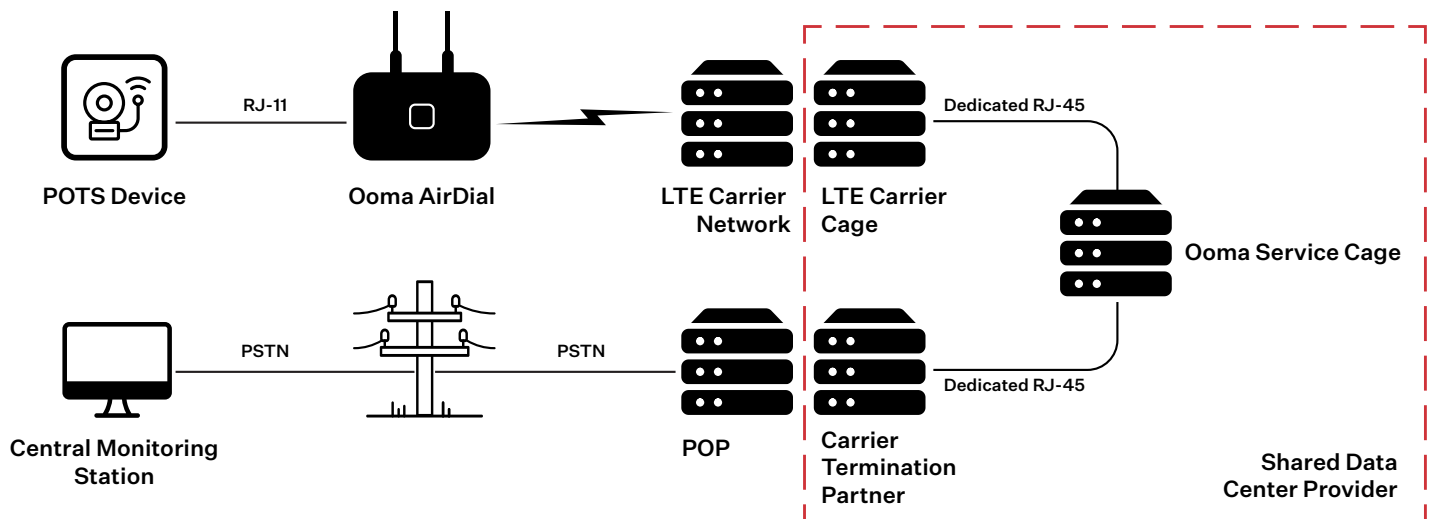


- Five apartment complexes in the Boston area
- Moved to VoIP for voice lines and PBX several years ago
- 14 POTs lines remained, in use for:
 - Building Entry Phones
 - Elevators
 - Boiler Room Alarms
 - Pool Phones
- Brickpoint was in desperate need of a solution. They were dissatisfied with support from the CLEC and prices were increasing.
- They purchased eight Ooma AirDial devices with 13 total lines.
- The IT consultant we worked with expects to install Ooma AirDial at several other customers' locations.



How Ooma AirDial Operates

Ooma is a true MFVN operator.



Ooma AirDial – Remote Device Management and Notification Tool

Generate event notifications.

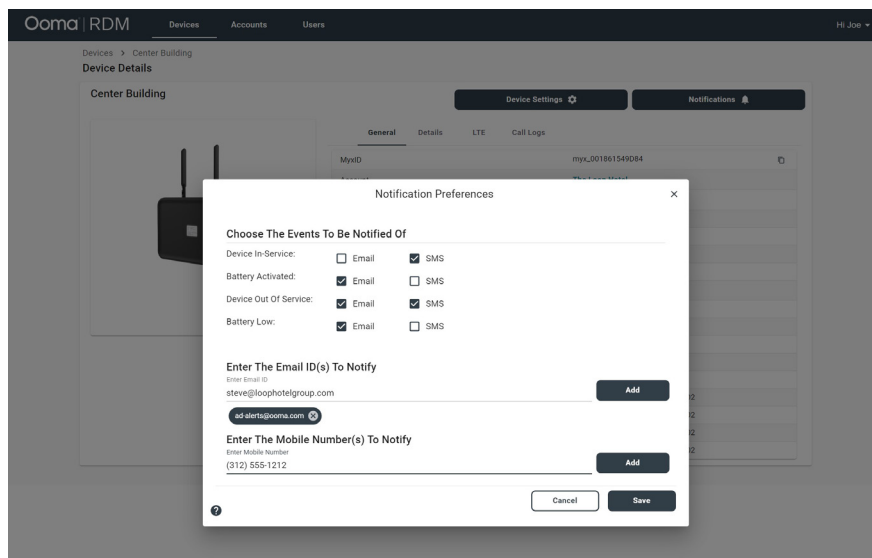
A notification can be received via SMS text message or email. You choose which type of notification is generated for each event, and you can add multiple recipients for each notification type.

Notification events include:

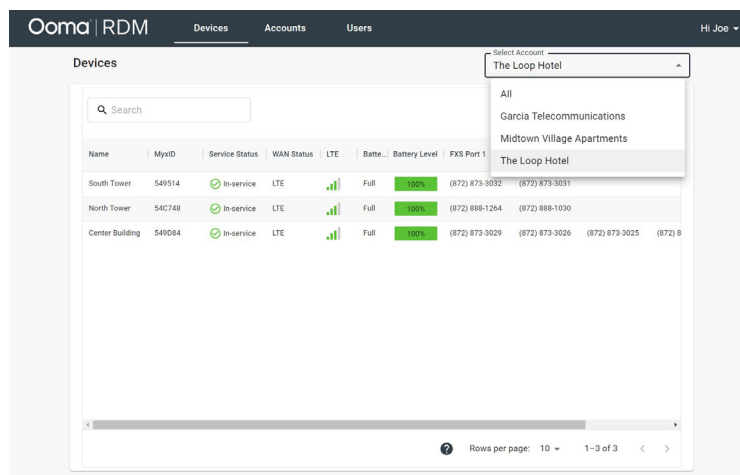
- Device In-Service
- Device Out-of-Service
- Battery Activated
- Battery Low

Role-based access capabilities empower account owners to give other users permissions such as Administrator, Editor, or User, without sharing login credentials.

Device Notification Settings



Device List View



Ooma AirDial Specifications

Processor	Dual-core ARM Cortex A9 CPU
Modem	Quectel EG95-NAXD; Cat-4 LTE; Support for bands B2/B4/B5/B12/B13/B25/B26; Data rates up to 150 Mbps down and 50 Mbps up
Antennas	Two TG.55 Apex III Wideband 5G/4G Dipole Terminal Antennas; Fully 5G/4G Operational with Assisted GPS; Hinged 90° termination with SMA(M) Connector; Straight Dimensions: 6.77 x 0.94 x 0.51 in; Right Angle Dimensions: 5.83 x 1.67 x 0.51 in
SIMs	Dual micro-SIM support
Telephony	Four RJ-11 analog FXS ports; 55Vrms Low Power Ringing (with smart ringing to reduce peak instantaneous power); LCCD converter tracking telephony voltage supply
Ethernet	One RJ-45 10/100/1000 Ethernet WAN port; One RJ-45 10/100/1000 Ethernet LAN port
Power	AC-DC Adapter w/ MicroFit+ connector; Input 100-240 VAC 50-60Hz, Output: 12VDC/3A 36W; Integrated UPS (Uninterruptible Power Supply); Accepts 9v – 33v dec input (for 12v or 24v systems)
Battery Backup	Replaceable battery pack 3S3P Li-ion battery; 10.95V, 3A; Capacity 85.4 Wh (7.8 Ah) provides > 8 hours of standby time
Display	176x220 TFT LCD display
Switches	Master On/Off; Factory reset (recessed)
Box Dimensions	W 11.81 x H 2.36 x D 7.87 in
Line and Battery Status	Monitoring notifications via SMS and email alerts
Administration	Web-based management portal

Industry Recognition

